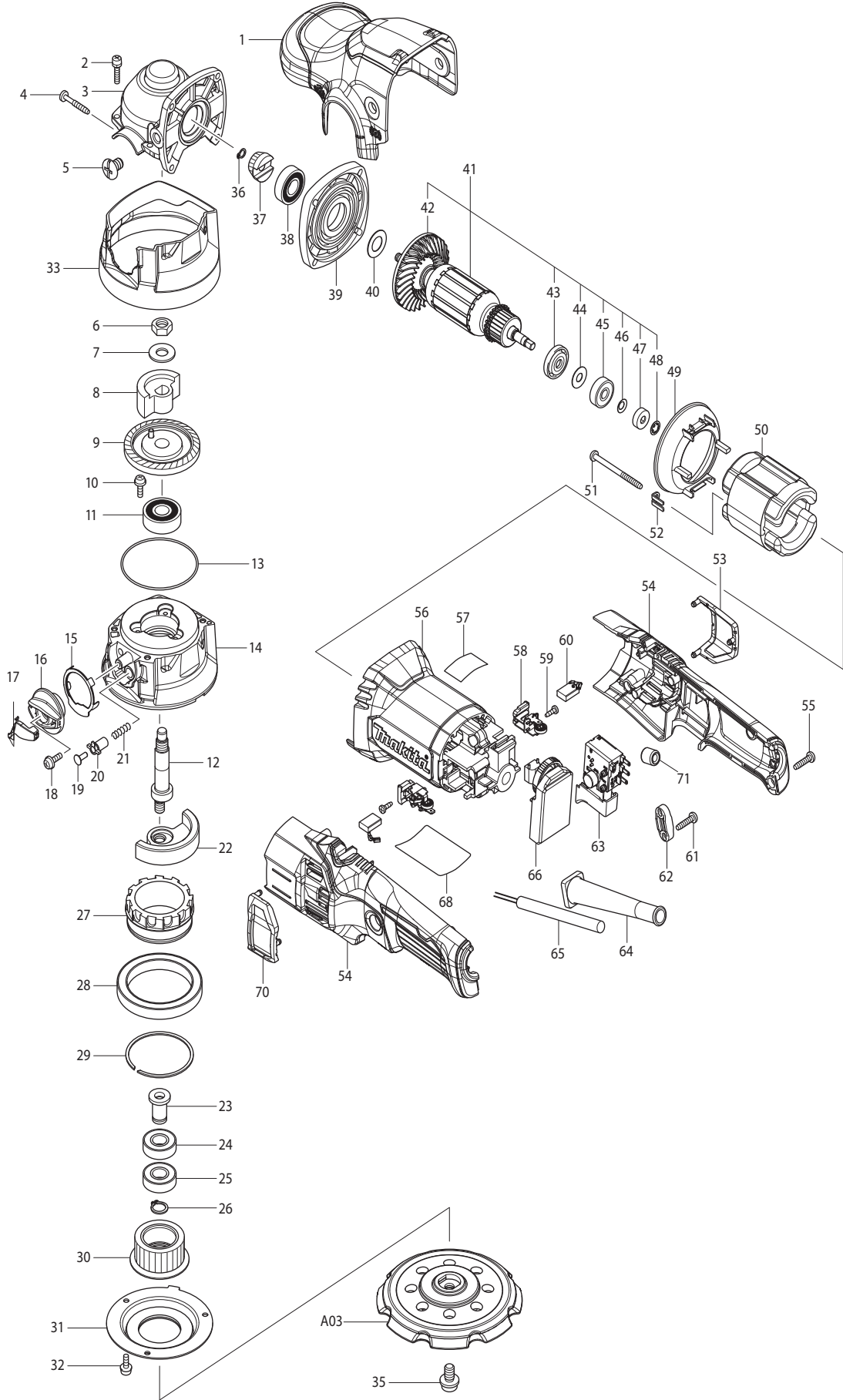




07 - 2016
PO5000C
5" Random Orbital Polisher



Item No	Type	Sub	Part No	Description	Qty	Unit
001			456805-0	HEAD COVER	1	PC.
002			911126-2	PAN HEAD SCREW M4X16	4	PC.
003			143783-0	GEAR HOUSING COMPLETE	1	PC.
004			266257-5	TAPPING SCREW 4X28	4	PC.
005			265083-9	+FLAT HEAD SCREW M8X11, PLASTIC	2	PC.
006			931503-2	HEX NUT M10	1	PC.
007			253024-7	FLAT WASHER 10	1	PC.
008			326735-8	UPPER BALANCE WEIGHT	1	PC.
009			143782-2	SPIRAL BEVEL GEAR 37 COMPLETE	1	PC.
010			911119-9	PAN HEAD SCREW M4X12	3	PC.
011			211145-1	BALL BEARING 6201ZZ	1	PC.
012			324069-3	SPINDLE	1	PC.
013			213724-1	O RING 62	1	PC.
014			143784-8	SKIRT COMPLETE	1	PC.
015			153427-4	DUST SEAL WASHER COMPLETE	1	PC.
016			143785-6	KNOB COMPLETE	1	PC.
017			456809-2	CAP	1	PC.
018			911119-9	PAN HEAD SCREW M4X12	1	PC.
019			417382-7	SPRING HOLDER	1	PC.
020			345209-0	HOLDER	1	PC.
021			231230-4	COMPRESSION SPRING 4	1	PC.
022			326736-6	LOWER BALANCE WEIGHT	1	PC.
023			324070-8	SLEEVE	1	PC.
024			211131-2	BALL BEARING 6001DDW	1	PC.
025			211131-2	BALL BEARING 6001DDW	1	PC.
026			961052-5	RETAINING RING S-12	1	PC.
027			221453-2	INTERNAL SPUR GEAR 29	1	PC.
028			210146-6	BALL BEARING 6811LLB	1	PC.
029			257933-2	STOP RING, EXT, WR-55	1	PC.
030			143790-3	SPUR GEAR 26 COMPLETE	1	PC.
031			143938-7	BEARING RETAINER 80 COMPLETE	1	PC.
032			911119-9	PAN HEAD SCREW M4X12	3	PC.
033			456806-8	BUMPER	1	PC.
035			266270-3	HEX SOCKET HEAD BOLT M8X14	1	PC.
036			961002-0	RETAINING RING S-6	1	PC.
037			221450-8	SPIRAL BEVEL GEAR 10	1	PC.
038			211142-7	BALL BEARING 6001LLB	1	PC.
039			317359-1	GEAR HOUSING COVER	1	PC.
040			253084-9	FLAT WASHER 12	1	PC.
041			513482-2	ARMATURE ASS'Y 115V	1	PC.
		INC.		Item No. 42-48		
042			240134-9	ARMATURE FAN 60	1	PC.
043			681656-4	INSULATION WASHER	1	PC.
044			253823-7	FLAT WASHER 7	1	PC.
045			210045-2	BALL BEARING 627DDW	1	PC.
046			267756-0	WAVE WASHER 6	1	PC.
047			688117-5	MAGNET SLEEVE	1	PC.
048			259039-2	SELF LOCK 6	1	PC.
049			453367-9	BAFFLE PLATE	1	PC.
050			621792-4	FIELD 115V	1	PC.
051	2		266415-3	TAPPING SCREW 4X55	2	PC.
052			344871-8	RETAINER	2	PC.
053			456807-6	DUST COVER	1	PC.
054			183D86-4	HANDLE SET	1	PC.
055	2		265A48-7	TAPPING SCREW 4X18	4	PC.
056			456802-6	MOTOR HOUSING	1	PC.
057			809N91-0	INDICATION LABEL	1	PC.
058			643770-4	BRUSH HOLDER	2	PC.
059			266007-8	TAP SCREW BIND P-TYPE 3X10	2	PC.
060			196454-8	AUTO CUT-OFF CARBON BRUSH CB-340 2PC/SET W/ORIGIN	1	SET

Item No	Type	Sub	Part No	Description	Qty	Unit
061	2		265A48-7	TAPPING SCREW 4X18	4	PC.
062			687063-9	CORD CLAMP	1	PC.
063			650776-5	SWITCH DGQ-1113C	1	PC.
064			682572-3	CORD GUARD 8	1	PC.
065			660023-6	CORD W/PLUG 2P-18-5.0M, SJ	1	PC.
066			620510-7	CONTROLLER	1	PC.
068			852H17-5	NAME PLATE F/PO5000C	1	PC.
070			456807-6	DUST COVER	1	PC.
ACCESSORIES			- See Catalogue or visit www.makita.ca for more accessories -			
A01			783203-8	HEX WRENCH 5	1	PC.
A02			410047-0	WRENCH HOLDER 5&6	1	PC.
A03			197923-2	H/L BACKING PAD 5" (125MM)	1	PC.
		INC.		Item No. 35		
	Opt.		197929-0	H/L BACKING PAD 6" (150MM)	1	PC.
		INC.		Item No. 35		
A04			794558-6	H/L SPONGE PAD 5" (125MM)	1	PC.
			197914-3	H/L SPONGE PAD 6" (150MM)	1	PC.
A05			794560-9	H/L WOOL PAD 5-1/2" (140MM)	1	PC.
			794619-2	H/L WOOL PAD 6" (150MM)	1	PC.
A06			196152-4	H/L FELT PAD 5" (125MM)	1	PC.
			193288-0	H/L FELT PAD 6" (150MM)	1	PC.
A07			198044-3	GRIP	1	PC.
A08			T-02680	5-1/2" CCS FOAM POLISHING PAD, BLACK, F/FINISHING	1	PC.
A09			T-02668	5-1/2" CCS FOAM POLISHING PAD, WHITE, F/POLISHING	1	PC.
A10			T-02674	5-1/2" CCS FOAM POLISHING PAD, ORANGE, F/CUTTING	1	PC.